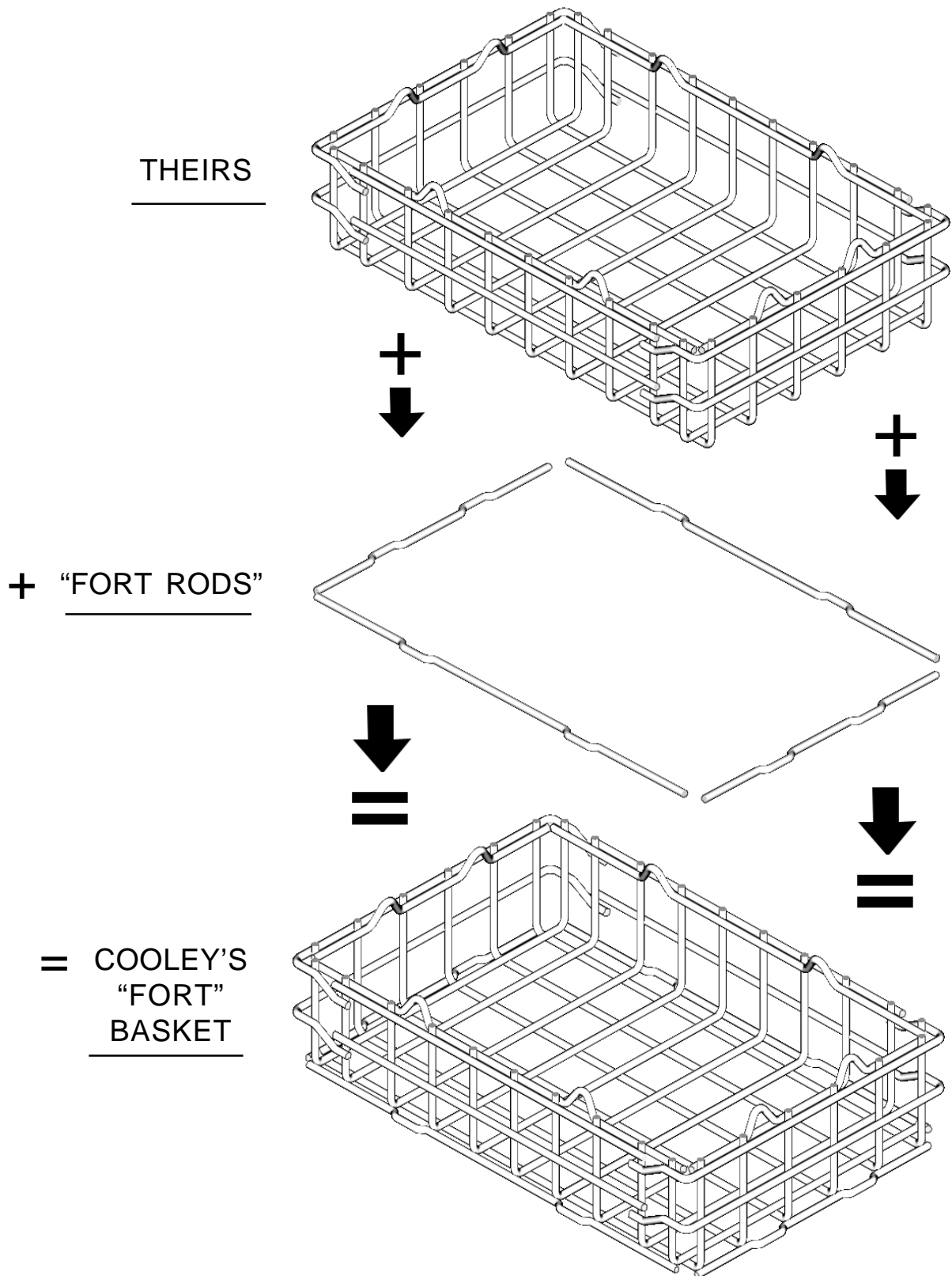


COOLEY'S "FORT" BASKET

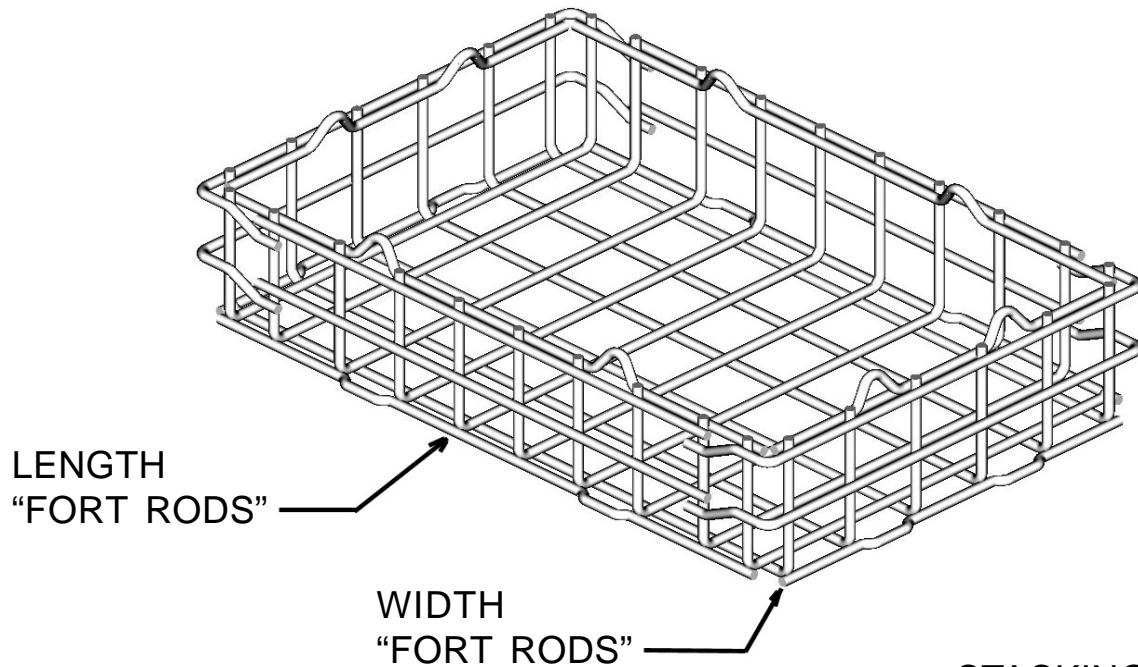
*"COMPARED TO THE COMPETITION,
WE OFFER SOMETHING EXTRA"*



"GREATER SUPPORT, BETTER STACKING"

COOLEY'S "FORT" BASKET

"YOU GET SOMETHING EXTRA FOR THE MONEY"

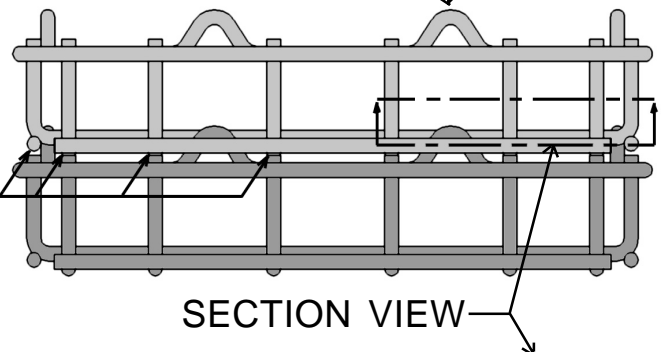


LENGTH
"FORT RODS"

WIDTH
"FORT RODS"

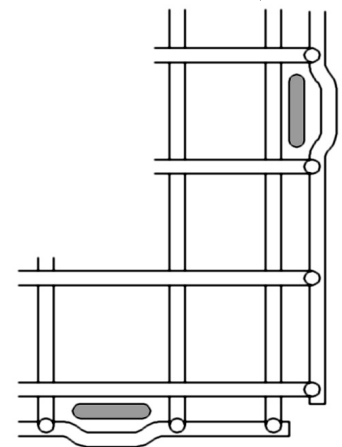
STACKING EARS

WIDTH AND LENGTH "RADIUS RODS" REST FULLY ON THE NUBS OF THE BASKET BELOW, PROVIDING 100% SIDEWALL BASKET SUPPORT



SECTION VIEW

THIS SECTIONAL DRAWING DESIGNATES THE LOCATION OF THE STACKING EARS OF THE BASKET BELOW (SHADED). THESE EARS INTERLOCK WITH THE ABOVE BASKET WHICH ALLEVIATES INWARD OR OUTWARD SIDEWALL DISTORTION.



Cooley Wire Products Mfg Co
5025 North River Road Schiller Park IL 60176
phone (847)678-8585 fax (847)678-8612
<http://www.cooleywire.com> -- <mailto:info@cooleywire.com>