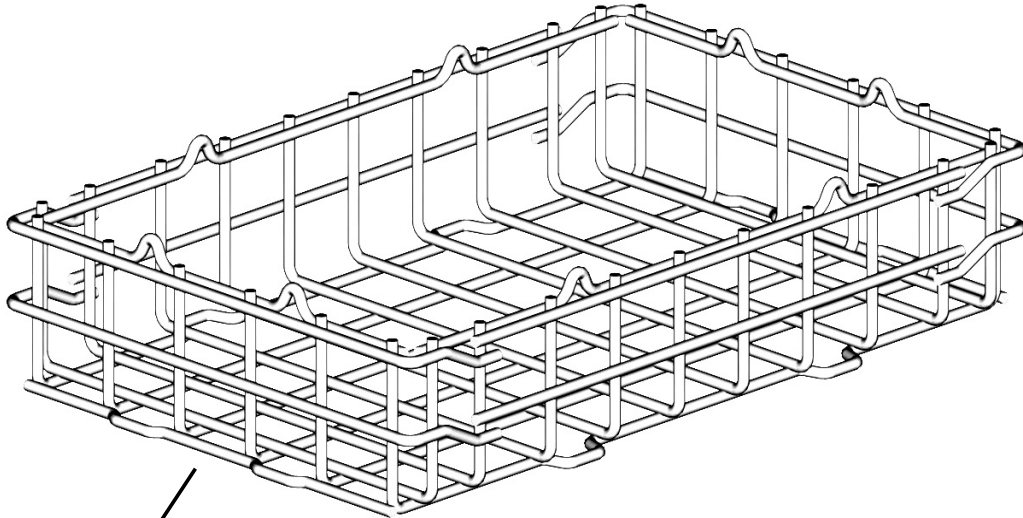


COOLEY'S HYBRID BASKET

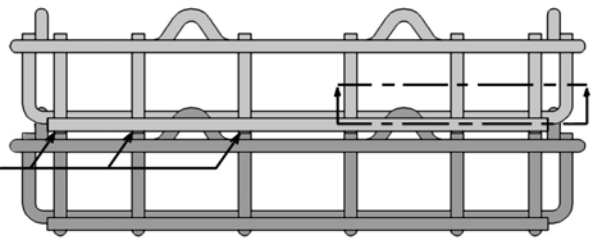
***"COMPARED TO THE COMPETITION,
WE OFFER SOMETHING EXTRA"***



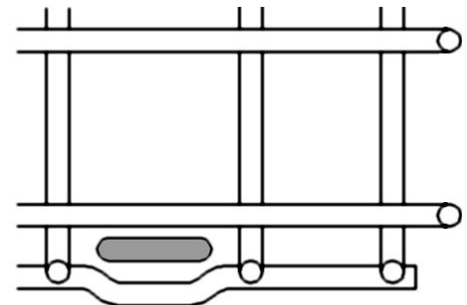
Addition of end radius rods

Cooley can duplicate a competitor's design for stacking and compatibility purposes, although we offer something a little extra. By using the combination of some of our successful design with that of theirs, we then create a "Cooley Hybrid". With the addition of the radius width bars we will obtain greater support and the interlocking will be far superior.

END RADIUS RODS REST FULLY ON THE NUBS OF THE BASKET BELOW, PROVIDING 100% SIDEWALL BASKET SUPPORT



THIS SECTIONAL DRAWING DESIGNATES THE LOCATION OF THE STACKING EARS OF THE BASKET BELOW (SHADED). THESE EARS INTERLOCK WITH THE ABOVE BASKET WHICH ALLEVIATES INWARD OR OUTWARD SIDEWALL DISTORTION.



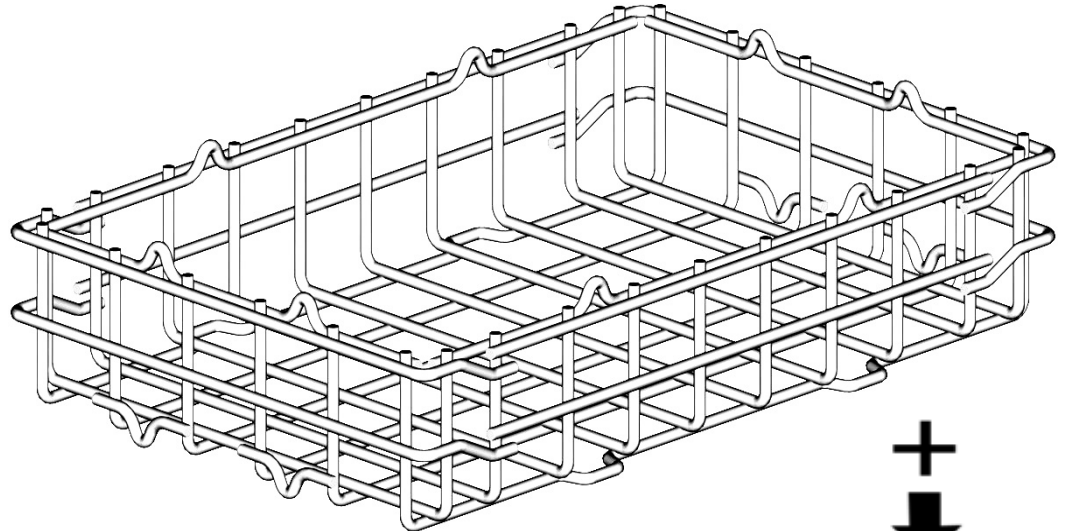
Cooley Wire Products Mfg Co
5025 North River Road Schiller Park IL 60176
phone (847)678-8585 fax (847)678-8612
<http://www.cooleywire.com> -- <mailto:info@cooleywire.com>

"GREATER SUPPORT, BETTER STACKING"

COOLEY'S HYBRID BASKET

**"COMPARED TO THE COMPETITION,
WE OFFER SOMETHING EXTRA"**

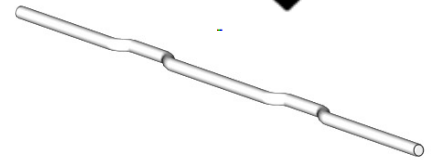
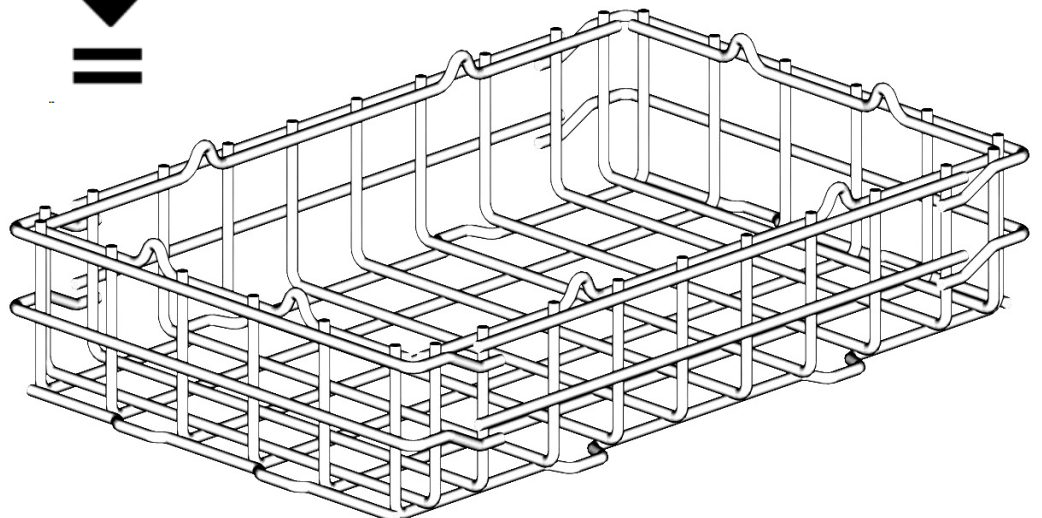
COMPETITION



+ END BARS



=COOLEY'S
HYBRID BASKET



"GREATER SUPPORT, BETTER STACKING"